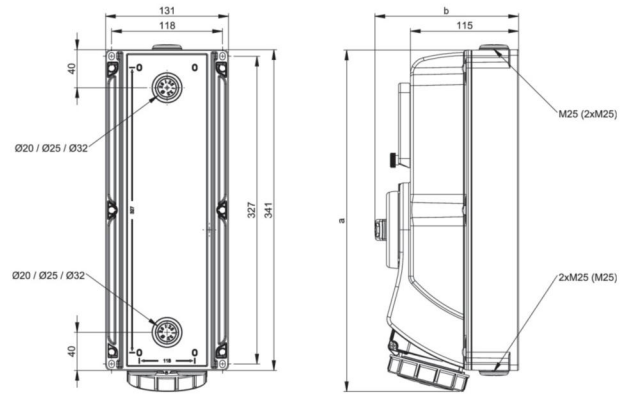


article#	78152-6
article description	CEE-switched interlocked socket DIN 16A 5p 6h IP66/IP67
description long	CEE-switched interlocked socket DIN 16A 5p 6h IP66/IP67 housing material: PC/ABS rated current: 16A number of poles: 5 (3P+N+PE) clock-position: 6h rated voltage/frequency: 200/346V~ - 240/415V~ / 50+60Hz contacts: brass nickel plated connection technology: screw terminals wall mounting, mechanical interlock, incl. holder for Neozed fuses switch: ON/OFF PCE-Merz ML0; EN 60947-3; AC22A, 10kA cable entry: top, bottom or rear (incl. threaded blind cap) IP protection class: IP66/IP67
GTIN (EAN)	9003399181658
country of origin	AT
customs number	85366990
net weight	1.782 kg
packaging quantity	1
minimum order quantity	1

ETIM 9.0	EC001324
IEC-amperage	16 A
Number of poles	5
Voltage according to EN 60309-2	400 V (50+60 Hz) red
Clock hour position	6 h
Identification colour	Red
Degree of protection (IP)	IP67
Switch	Mechanical locking
Empty locations on mounting rail	False
Material housing	Plastic
Model	Base unit and cover
Protection	D0-system
Contact material	CuZn
Surface treatment contacts	Nickel-plated

a	363 mm
b	153 mm
wire flexible	1,5-2,5 mm ²
wire solid	1,5-4 mm ²
ambient temperature	-25 – 40 °C
temperature resistance	-25 – 80 °C



<https://www.pcelectric.at/shop/en/?func=detail&artnr=78152-6>