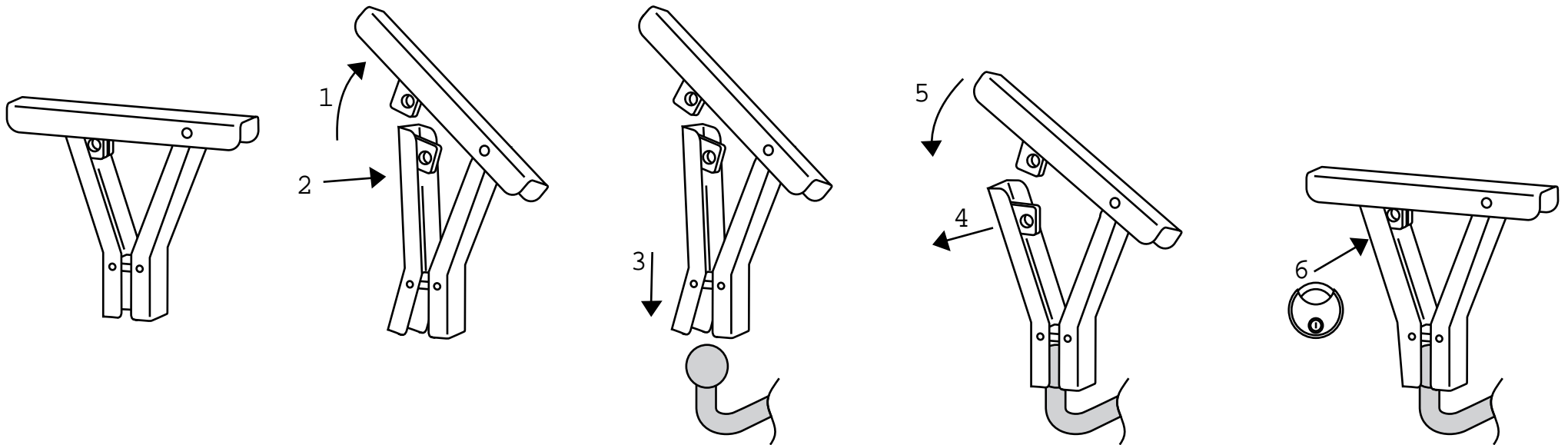




Van Lock



Patented