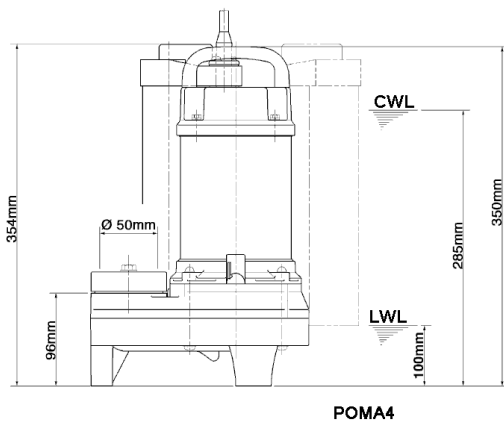
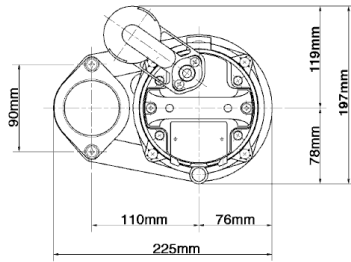
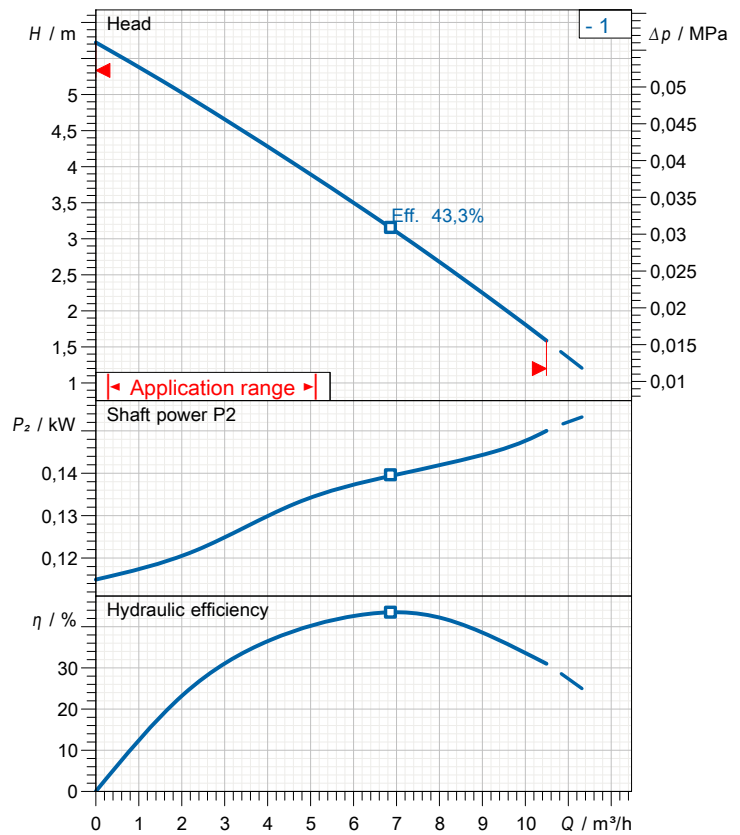


Data sheet POMA4



CWL: Continuous running water level
 LWL: Lowest running water level



Specification

Elektrische Tauchpumpe POMA
 Degree of protection IP 68
 Pressure resistance max. 10 m
 Type of impeller Vortex impeller
 Free passage 35 mm
 Suitable for:
 sewage water, various waste water

Electric motor

Dry-type submersible induction motor
 Insulation class E 2Poles 2850 1/min
 Starting mode
 Rated voltage 230 V 50 Hz 1~
 Power uptake 0,30 kW
 Rated power 0,15 kW
 Rated current 1,6 A
 Start current

Cable

10m H07RN-F 3Cx1mm²

Motor Protection

Circle thermal protector
 (snap-action bi-metal device)

Shaft seal

Double inside mechanical seal in oil bath
 additional lubrication by oil lifting device
 Primary seal
 Silicon carbide on silicon carbide
 Secondary seal
 Ceramic on carbon

Bearings

Shielded ball bearings, maintenance-free

Materials

Impeller	Fibre reinforced plastic (epoxy resin)
Upper Pump casing	Fibre reinforced plastic (PU)
Lower Pump casing	Urethane rubber
Motor Frame	DIN 1.4301 (EN-X5CrNi 18-10)
Shaft	DIN 1.4000 (EN-X6Cr13)

Discharge size

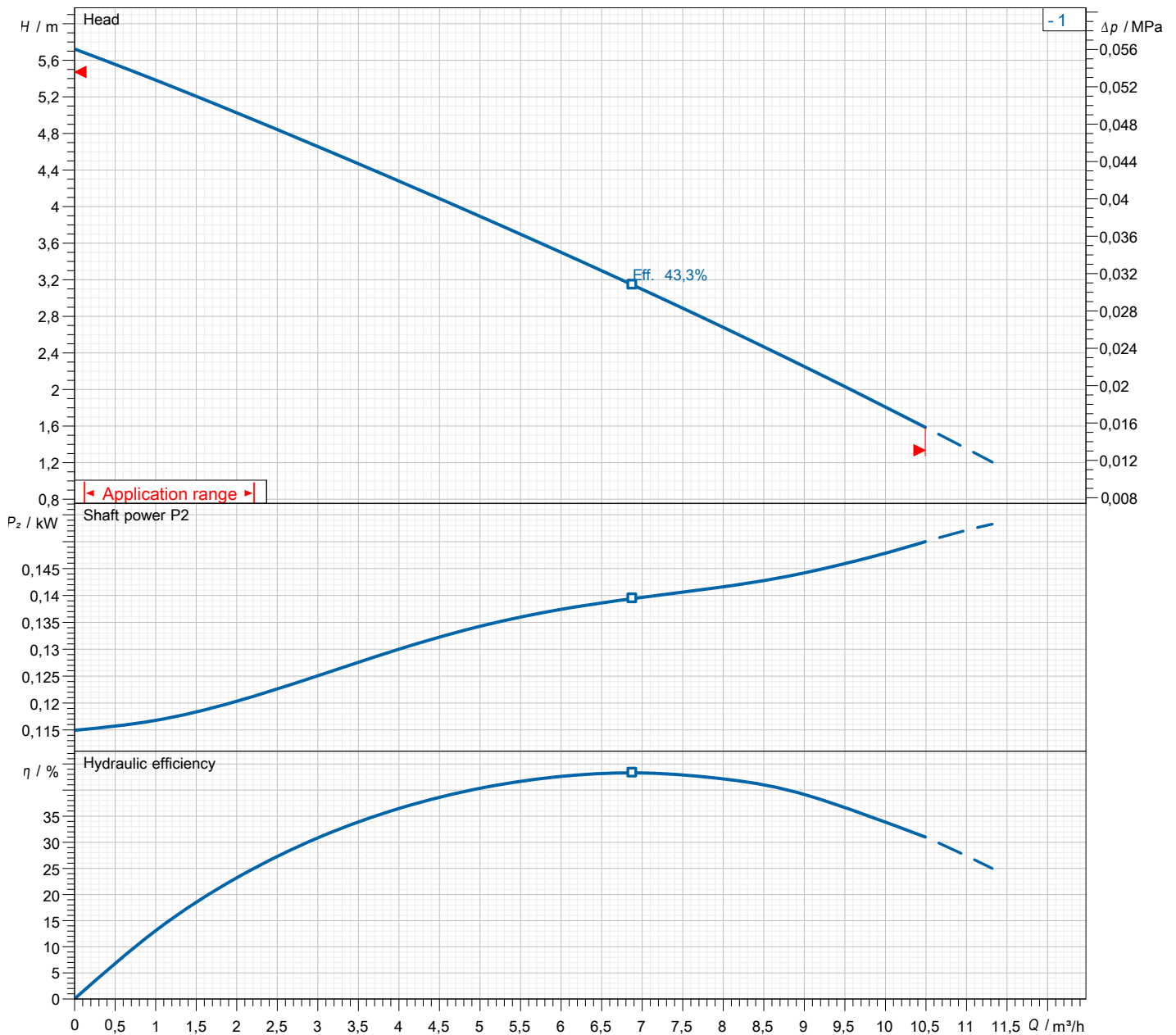
2" (50mm) screwed-in mating flange

Weight

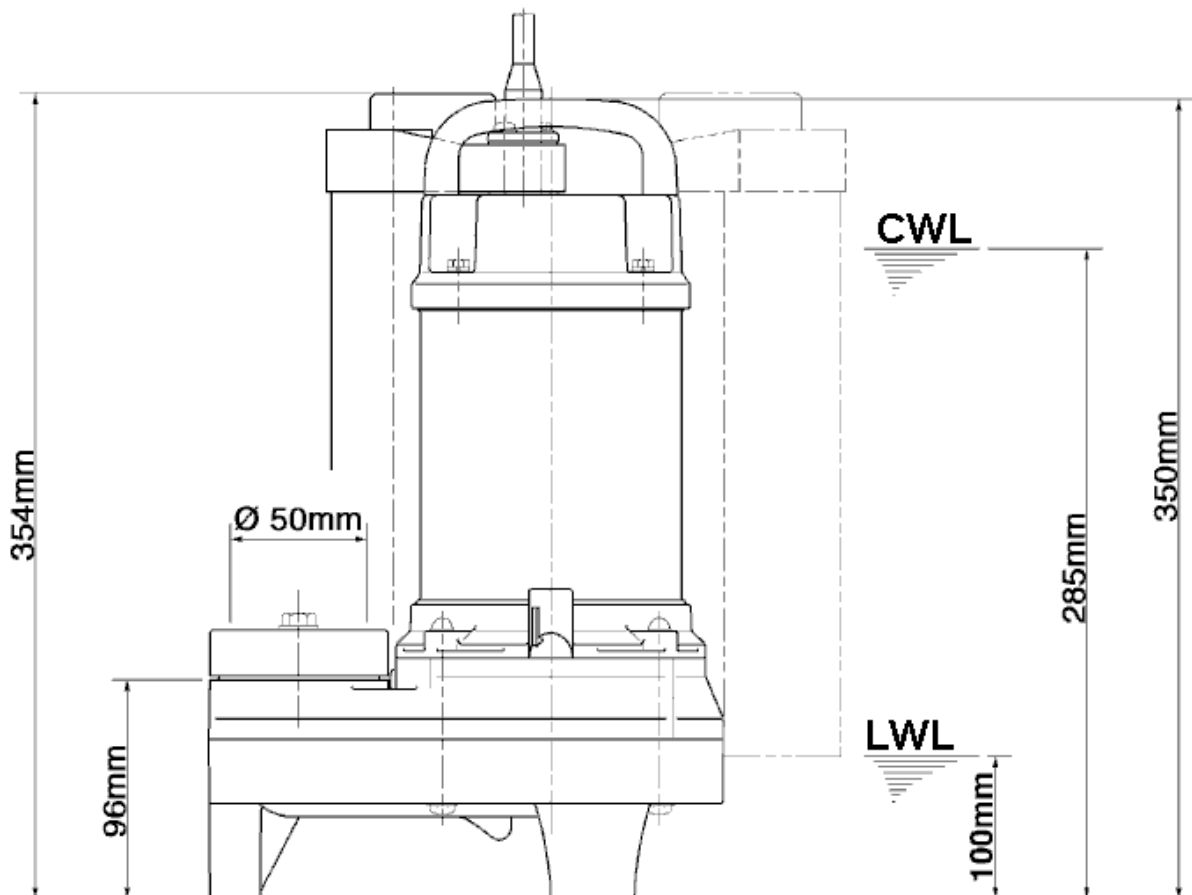
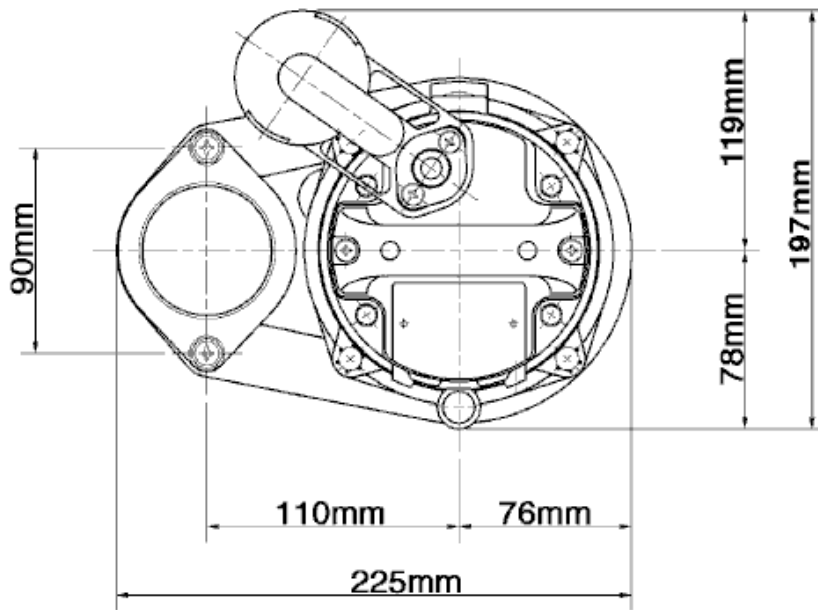
6,6 kg (dry weight of the pump only without cable)

Performance curve POMA4

Discharge port	2"
FördH	5,7 m
Flow	10,5 m³/h
Rated power	0,15 kW
Power input	0,30 kW
Phases	1~
Voltages	230 V
Frequency	50 Hz
Rated current	1,6 A
Starting current	
Number of poles	2
Speed	2850 1/min
Starting mode	
Insulation class	E



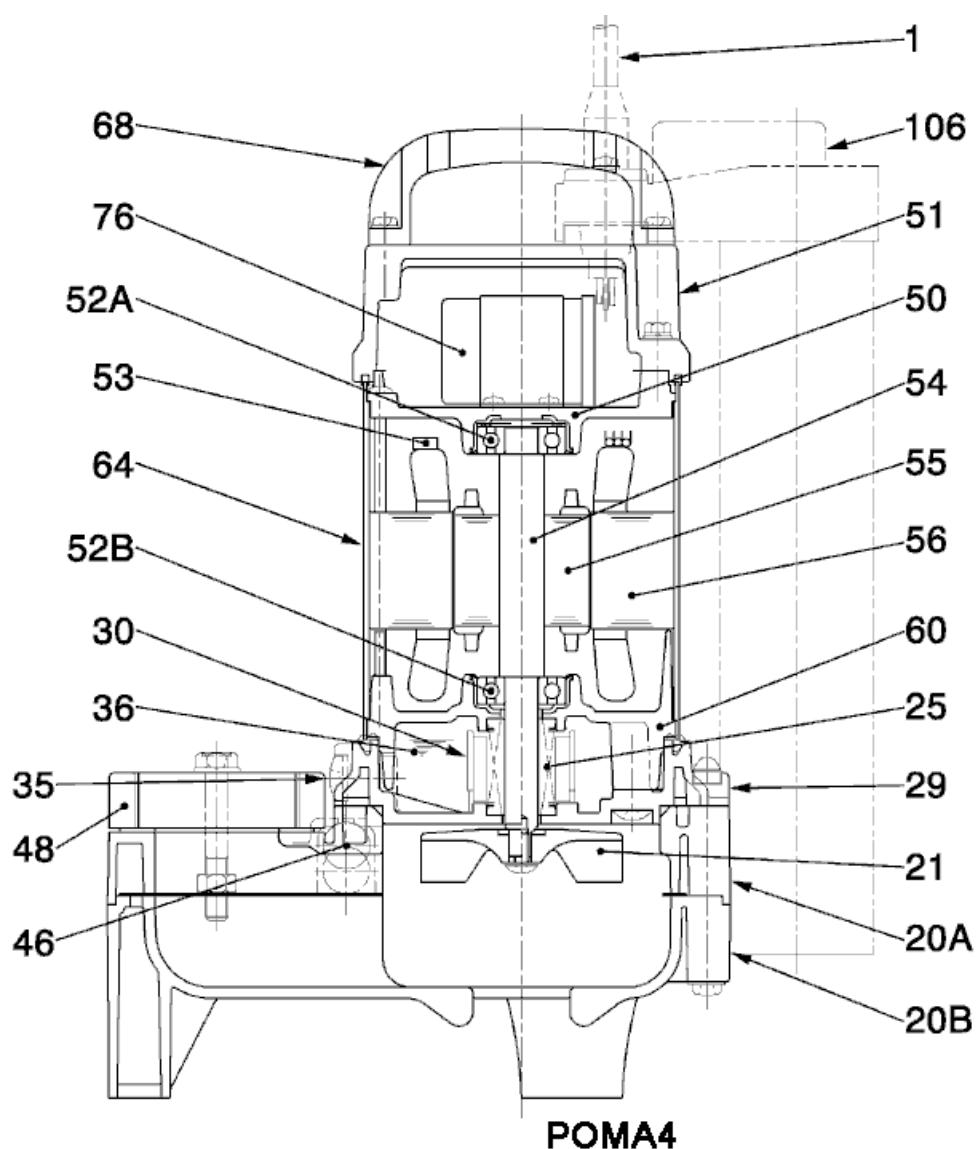
Dimensions POMA4



POMA4

CWL: Continuous running water level
LWL: Lowest running water level

Sectional drawing POMA4



No.	Description	Remark	No.	Description	Remark
1	Cable	H07RN-F	54	Shaft	DIN 1.4000 (EN-X6Cr13)
20A	Upper Pump casing	Fibre reinforced plastic (PU)	55	Rotor	.
20B	Lower Pump casing	Urethane rubber	56	Stator	.
21	Impeller	Fibre reinforced plastic (epoxy resin)	60	Bearing Housing	Aluminium die casting
25	Mechanical seal	D-12B	64	Motor Frame	DIN 1.4301 (EN-X5CrNi 18-10)
29	Oil casing	Plastic with glass fibers	68	Handle	Plastic
30	Oil distributor	Plastic	76	Condenser	.
35	Oil screw	DIN 1.4301 (EN-X5CrNi 18-10)	106	Float	Plastic
36	Lubricant	Turbine oil (ISO VG32)			
46	Pressure release valve	Glass bead			
48	Screwed Flange	Plastic			
50	Motor cover	Aluminium die casting			
51	Main cover	Plastic			
52A	Upper bearing	62001ZC3			
52B	Lower bearing	62001ZC3			
53	Motor Protector	.			